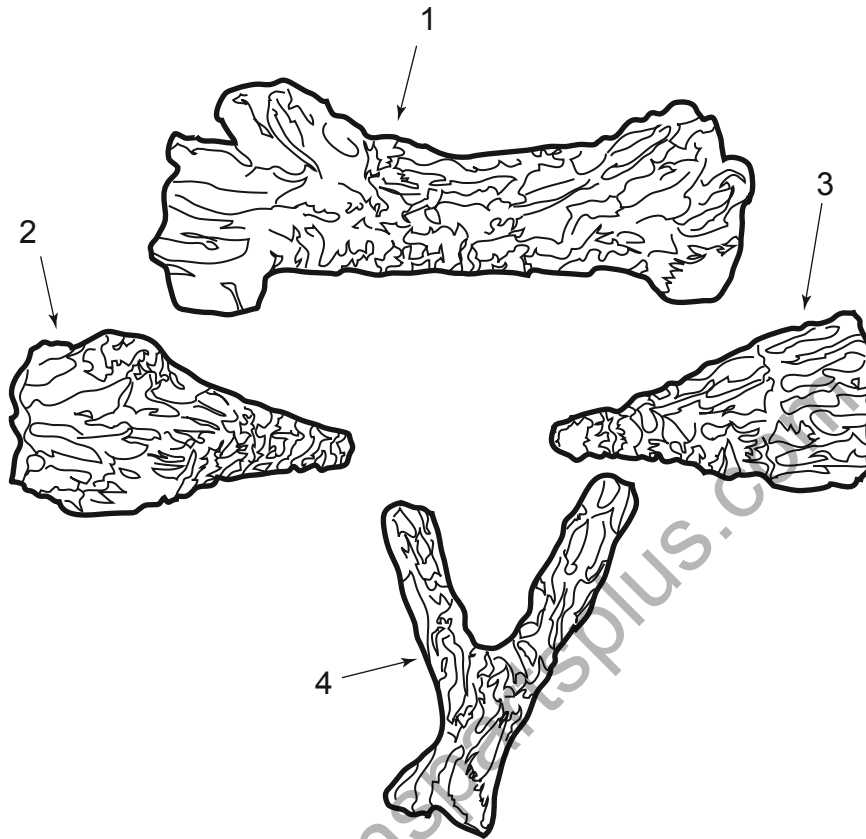


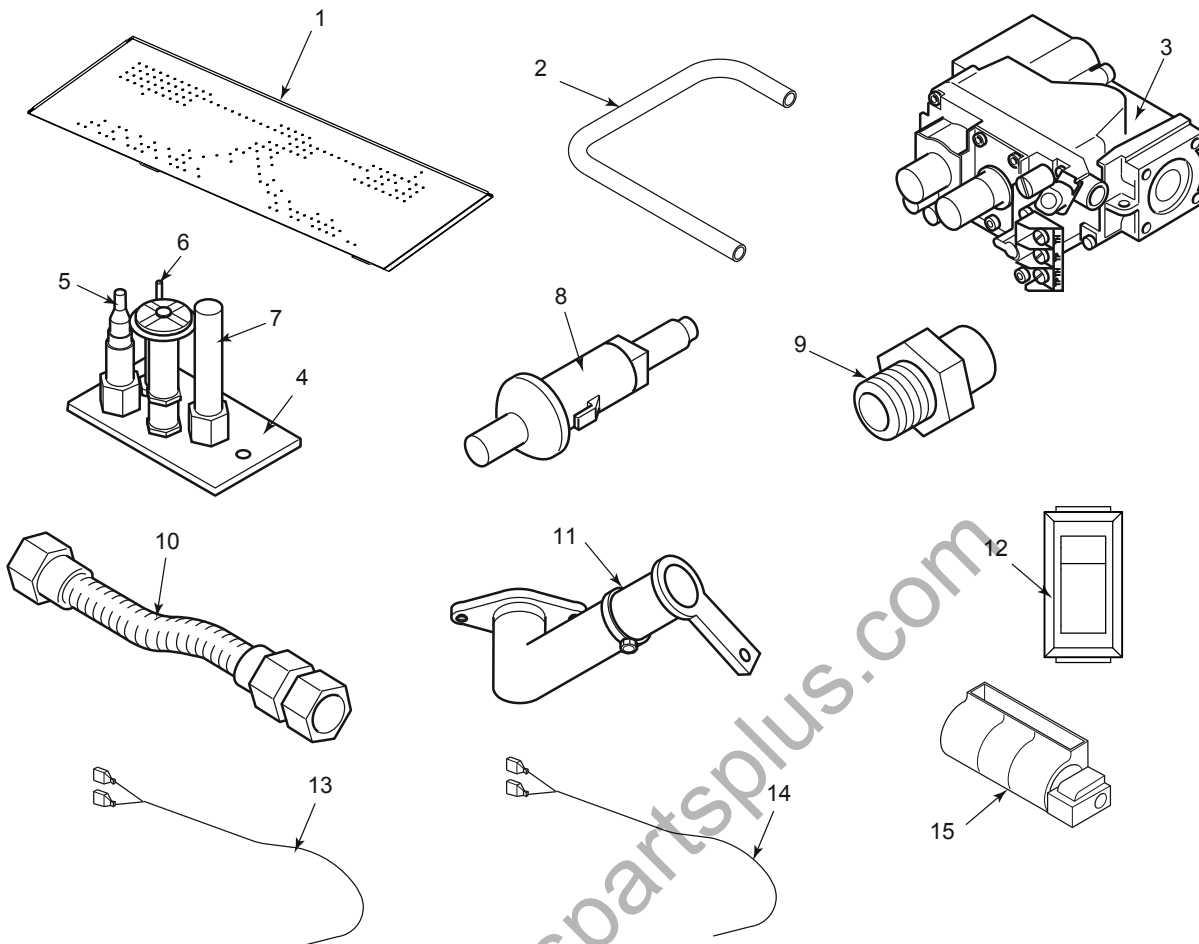
**Firebox Components**

Ref.	Description	Qty.	36CFDV
<b>Standard Features</b>			
1.	Junction Box Assy.	1	26D2128K
2.	Glass Frame Assy.	1	20305406K
<b>Factory Installed Service Parts</b>			
3.	Thermostat Sensor for Blower	1	26D2870
Firebrick - Cottage Clay			
4.	Rear	1	20305737K
5.	Left	1	20305739K
6.	Right	1	20305738K
Firebrick - Tavern Brown			
4.	Rear	1	20305895K
5.	Left	1	20305897K
6.	Right	1	20305896K
Firebrick - Cottage Red			
4.	Rear	1	20305892K
5.	Left	1	20305894K
6.	Right	1	20305893K



**Logs**

Item	Description	36CFDV
1.	Rear Log #1	54D0117
2.	Bottom Left Log #2	54D0118
3.	Bottom Right Log #3	54D0119
4.	Top Log #4	54D0120



**Standing Pilot – Millivolt Control**

Ref.	Description	Qty.	36CFDVNV	36CFDVPV
1.	Burner Assy.	1	20305397K	20305397K
2.	Burner Tube	1	20305364K	20305364K
3.	Gas Valve Assy.	1	37D0117	37D0118
4.	Pilot Assy.	1	37D0018K	37D0019K
5.	Replacement Thermocouple	1	24D0808	24D0808
6.	Replacement Igniter and Wire	1	10001297	10001297
7.	Replacement Thermopile	1	26D0566	26D0566
8.	Piezo Igniter	1	14D0503	14D0503
9.	Injector	1	59D0062	20H3146
10.	Flexhose w/Shut-Off Valve	1	69D0030	69D0030
11.	Venturi	1	69D1119	69D1026
12.	Rocker Switch	1	32D0232	32D0232
13.	Wire Assy.	1	44D0500	44D0500
14.	Wire Assy.	1	44D0501	44D0501

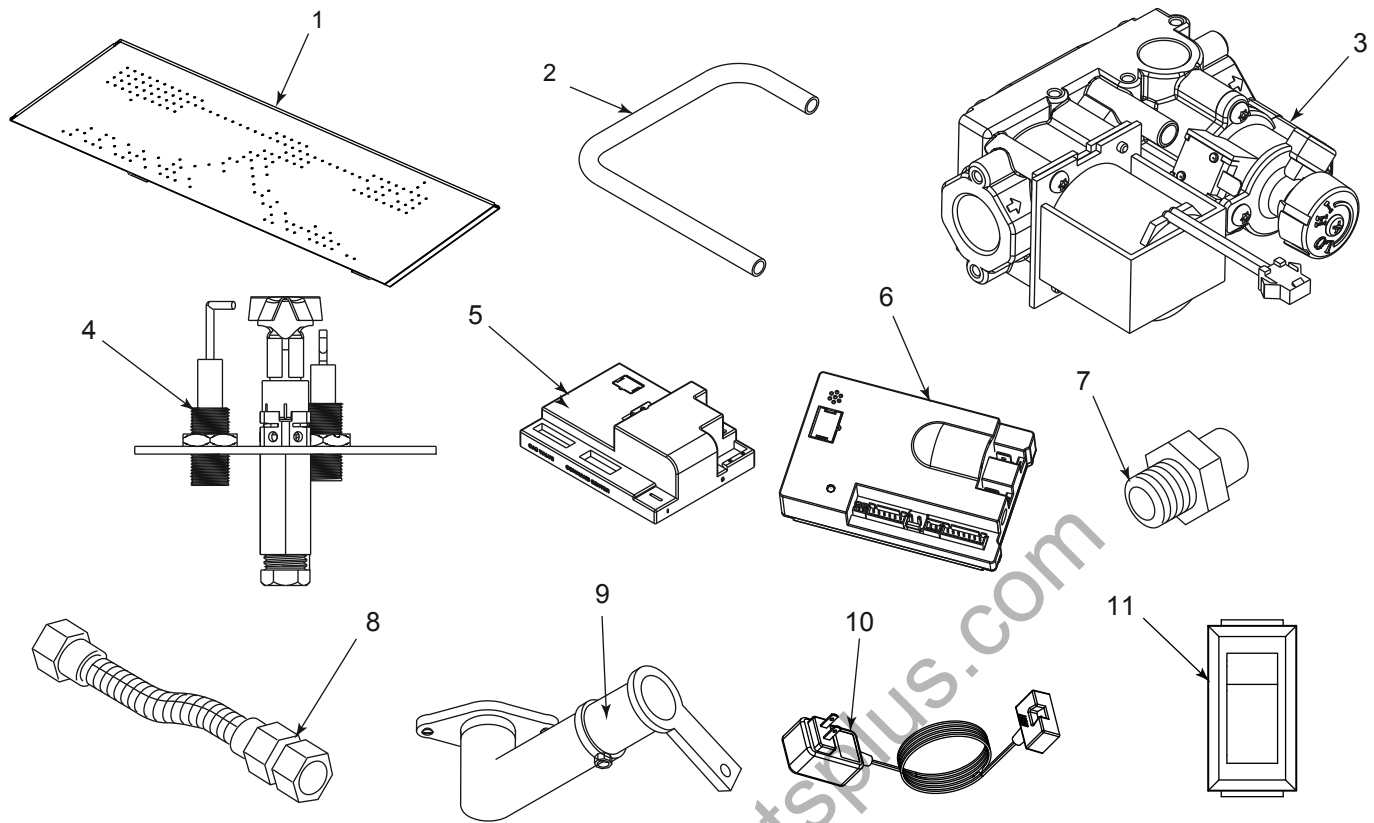
**Fuel Conversion Kits - Millivolt**

**Natural Gas to LP**

36CFDVNV Kit #36CFDVCKPV

**LP to Natural Gas**

36CFDVPV Kit #36CFDVCKNV



**IPI System**

Ref.	Description	Qty.	36CFDVNI	36CFDVPI
1.	Burner Assy.	1	20305397K	20305397K
2.	Burner Tube	1	20305454K	20305454K
3.	Gas Valve Assy.	1	95E0101	95E0102
4.	Pilot Assy.	1	95E0103	95E0104
5.	Control Board	1	95E0108	95E0109
6.	Control Box	1	95E0100	95E0100
7.	Injector	1	59D0062	20H3146
8.	Flexhose w/Shut-Off Valve	1	69D0030	69D0030
9.	Venturi	1	69D1119	69D1026
10.	A/C Adapter (6 Volt)	1	95E0105	95E0105
11.	Cold Climate Switch	1	95E0111	95E0111
12.	Wire Valve Control (not shown)	1	80D0010	80D0010
13.	Wire On/Off Switch to Control Board (not shown)	1	95E0110	95E0110

**Fuel Conversion Kits - IPI System**

**Natural Gas to LP**

36CFDVNI Kit #36CFDVCKPI

**LP to Natural Gas**

36CFDVPI Kit #36CFDVCKNI